

GESR3 Full Extension Slide

Max load 65kg · Detachable · Bumper

Features

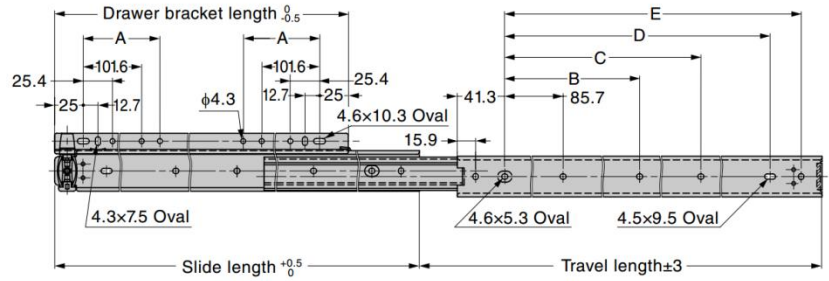
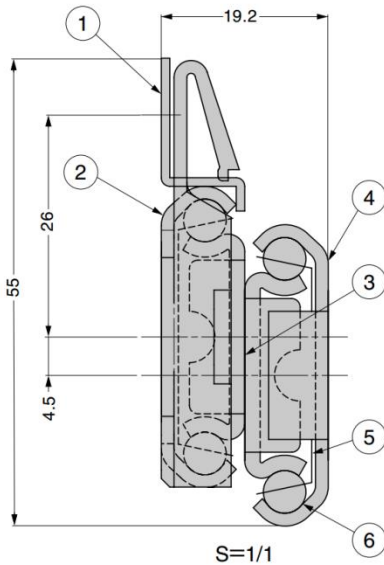
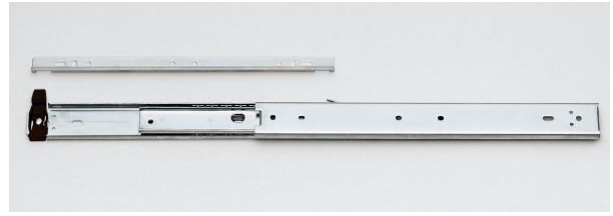
- Full extension (3 members)
- Drawer can be easily detached by using drawer bracket
- Passed 50,000 life cycle test

Notes

- Some parts of the slides are made of plastic

Recommended Screws

- M4 binding head screw



Right-handed shown.

No.	Part Name	Material	Finish
①	Drawer Bracket	Stainless Steel (SUS304)	Plain
②	Inner Member		
③	Intermediate Member		
④	Outer Member		
⑤	Retainer		
⑥	Balls		

Sold in pairs

Part No.	Slide Length	Travel Length	Drawer Bracket Length	A	B	C	D	E	Outer Member Holes	Load Capacity (pair)
GESR3-12	304.8	348.4	273	-	-	123.1	218.3	245.3	6	637 N 65 kg
GESR3-14	355.6	399.2				173.9	269.1	296.1		598 N 61 kg
GESR3-16	406.4	450	375	-	-	224.7	319.9	346.9	7	549 N 56 kg
GESR3-18	457.2	500.8				187.3	275.5	370.7		397.7
GESR3-20	508	551.6	527	177.8	-	212.7	326.3	421.5	7	471 N 48 kg
GESR3-22	558.8	602.4				238.1	377.1	472.3		499.3
GESR3-24	609.6	653.2	575.3	177.8	-	263.5	427.9	523.1	7	471 N 48 kg
GESR3-26	660.4	704				288.9	478.7	573.9		600.9
GESR3-28	711.2	754.8	575.3	177.8	-	314.3	529.5	624.7	651.7	